

CLUB Bench

Ref. PLT0102



Design
by
AUBRILAM.

+ matching colours + easy to install + friendly

**MATERIALS**

Electro-galvanised steel structure, polyester powder coated finish.
Seat plate in 12 mm beech plywood, HPL veneer.
Must be fixed on the ground on base plate.

**FIXATION**

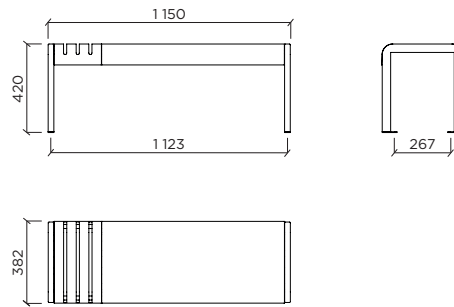
Chemical sealing.
Anchor rods*: threaded rod M8 x 70.
Fixation holes on plate: Ø 9 mm.

**MEASUREMENTS**

h x L x w: 420.5 x 1150 x 382 mm
Weight: 11.2 kg

**STANDARD COLOUR IDENTITY**

HPL: Ref. 0923 Enigma - Ref. 0612 Olive.
Metal: RAL 7031.

**NOTE**

*Anchor rods supplied on request only.