

MOSHI Litter bin *Vigipirate*

Ref. PMR0133



+ friendly use + easy opening + economic



MATERIALS

Square body made up of four panels in glued laminated timber GL24H certified ACERBOIS GLULAM, produced with sawn planks from sustainably managed forests and respecting HTE process. Timber finished with four coats of woodstain. Cylindrical lid support and base in galvanised steel, polyester powder coated finish. Liner in polyethylene. Triangular key lock and closing hook.



FIXATION

Stud anchors.
Anchor rods*: M10 x 120.



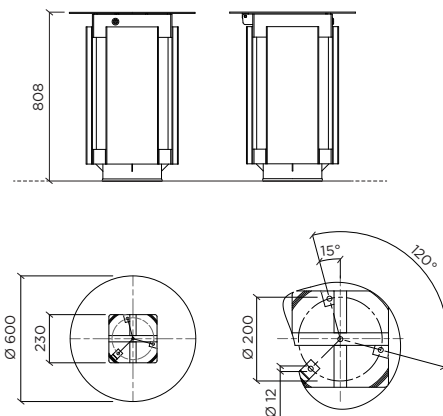
MEASUREMENTS

h x Ø: 808 x 600 mm
Capacity: 60 l
Weight: 36 kg



STANDARD COLOUR IDENTITY

Wood: Brume.
Metal: Black 100 sanded.



NOTE

*Anchor rods supplied on request only.