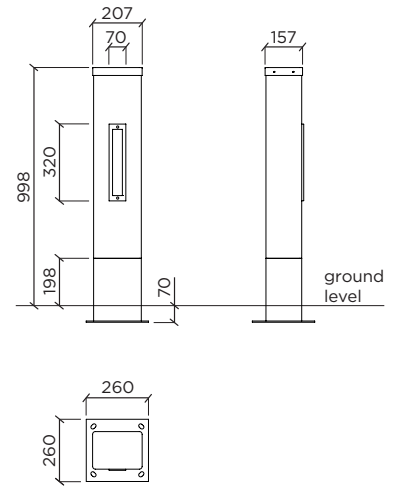


NATTY 2 Lighting bollard
LED 5.5 W - 329 lm*



NATTY 2 BOLLARD	PBD0711
Height	1.07 m
Power	5.5 W*
Type of lamp	LED
Class	I
IP	55



MEASUREMENTS
h x L x w: 1 068 x 207 x 157 mm
Weight: 18 kg

STANDARD COLOUR IDENTITY
Wood: Brume or Dark Mineral.
Metal: Matt fine textured 7024.

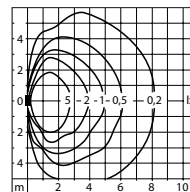
RECTANGULAR SUPPORT
Regular rectangular shaft in Accoya® acetylated glued laminated timber, produced with sawn planks from sustainably managed forests. Timber finished with four coats of woodstain. Rectangular flush base in galvanized steel, polyester powder coated finish. Overlying top in galvanized steel, polyester powder coated finish.
Connexion box with drawer for Neozed 16A installation. Synthetic shock resistant case. Protection degree IP 55. Protection class II. For diversion cabling until 5 x 4².

FIXATION
Chemical sealing.
Anchor rods**: threaded rod M12 x 200.
Spacing dimensions on plate: 200 x 200 mm.
Fixation hole on plate: 16 x 24 mm.

Pa Public area - Cp Cycle path - Pf Pedestrian footpath - S Street



LED LIGHT 5.5 W*
Free diffusion lighting.
329 lm - Colour temperature 3 000 K (T* 4 000 K as option).
Cast aluminium, aluminium and stainless steel. White safety glass.
Dust-proof and water jet protected.
Pre-cabling 3G1.5² - Length 1 m.
Power supply LED 220-240 V - 0/50-60 Hz. DC 176-264 V.
Class I - IP 65 - IK 07 - Weight: 0.95 kg.



Light distribution
LED 5.5 W.

NOTES
The power supply is located on the top part of the bollard: prepare enough cable length to proceed with the connection.
*Power and luminous flux data likely to vary.
**Anchor rods supplied on request only.