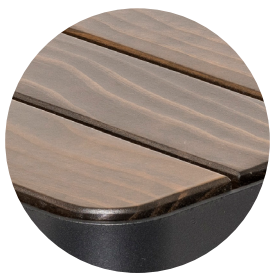


RENDEZ-VOUS Coffee table

Ref. PLT0109



+ Anna Szonyi co-design + friendly, warm and robust product



MATERIALS

Electro-galvanised steel structure, polyester powder coated finish.
Solid wood slats in Accoya® acetylated timber from sustainably managed forests. Timber finished with four coats of woodstain.
Fixation to the ground is recommended.



FIXATION

Chemical sealing.
Anchor rods*: threaded rod M10 x 80.
Fixation holes: Ø 12 mm.



Product capable of offering Connect2 technology fulfilling requirements:

- connection
- access to information
- charging



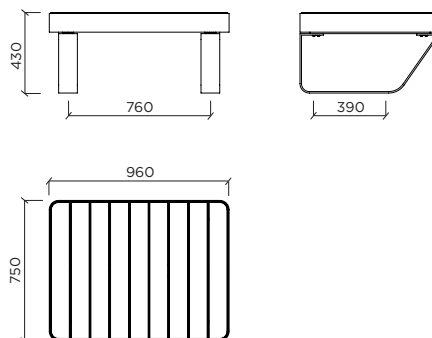
MEASUREMENTS

h x L x w: 430 x 960 x 750 mm
Weight: 48 kg



STANDARD COLOUR IDENTITY

Wood: Brume or Dark Mineral.
Metal: Black 100 sanded.



NOTE

*Anchor rods supplied on request only.