

**RENDEZ-VOUS** Round bench

Ref. PLT0106



+ Anna Szonyi co-design + friendly, warm and robust product



**MATERIALS**

Electro-galvanised steel structure, polyester powder coated finish.  
Solid wood slats in Accoya® acetylated timber from sustainably managed forests. Timber finished with four coats of woodstain. High performance concrete backrests, protected with a BF24h type stain.  
Fixation to the ground is recommended.



**MEASUREMENTS**

h x Ø: 430 x 2 000 mm  
Weight: 190 kg



**STANDARD COLOUR IDENTITY**

Wood: Brume or Dark Mineral.  
Metal: Black 100 sanded.



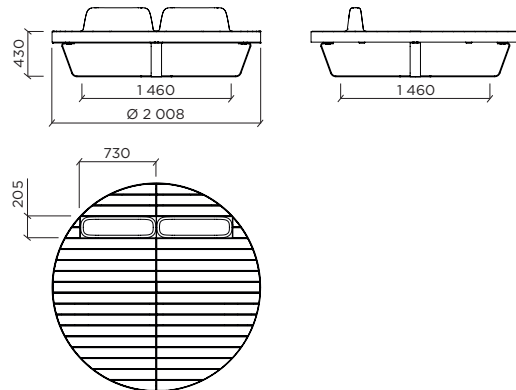
**FIXATION**

Chemical sealing.  
Anchor rods\*: threaded rod M10 x 80.  
Fixation holes: Ø 12 mm.



Product capable of offering Connect2 technology fulfilling requirements:

- connection
- access to information
- charging



**NOTE**

\*Anchor rods supplied on request only.