

RENDEZ-VOUS Sunlounger

Ref. PLT0108



+ Anna Szonyi co-design + friendly, warm and robust product



**MATERIALS**

Electro-galvanised steel structure, polyester powder coated finish.  
Solid wood slats in Accoya® acetylated timber from sustainably managed forests. Timber finished with four coats of woodstain. High performance concrete seat, protected with a BF24h type stain. Fixation to the ground is recommended.



**FIXATION**

Chemical sealing.  
Anchor rods\*: threaded rod M14 x 80.  
Fixation holes: 28 x 16 mm, hole centred on the oblongs Ø 20 mm.



Product capable of offering Connect2 technology fulfilling requirements:

- connection
- access to information
- charging



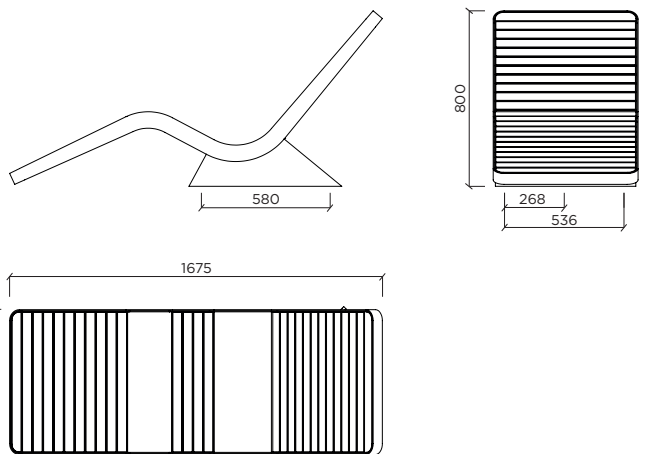
**MEASUREMENTS**

h x L x w: 800 x 1 675 x 659 mm  
Weight: 197 kg



**STANDARD COLOUR IDENTITY**

Wood: Brume or Dark Mineral.  
Metal: Black 100 sanded.



**NOTE**

\*Anchor rods supplied on request only.