

SOLEA 4-seat table

Réf. PMT0246



Design
by
AUBRILAM

+ UV. protected, shock resistant and weatherproof + delivered in kit + easy assembling + adapted element PRM + ease of maintenance: water + soap

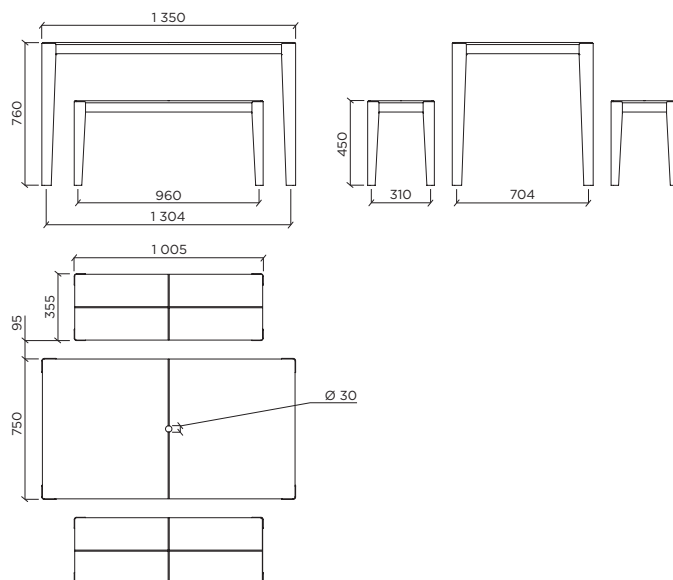


MATERIALS
Electro-galvanised steel structure, polyester powder coated finish.
Table top and seats in high pressure laminate, 12 mm-thick.
Must be fixed to the ground on base plate.

FIXATION
Chemical sealing.
Anchor rods*: threaded rod M8 x 70.
Fixation holes on plate: Ø 10 mm.

MEASUREMENTS
PMT0252 4-seat table
h x L x w: 760 x 1 350 x 750 mm
Weight: 35.2 kg
PMT0250 2-seat bench
h x L x w: 450 x 1 005 x 355 mm
Weight: 14.9 kg

STANDARD COLOUR IDENTITY
HPL: Ref. 0801 Pin Vieilli.
Metal: Black 200 sanded.



NOTE
*Anchor rods supplied on request only.

Optional - Consult us:
Monoblock 4-seat table
Connecting shaft table-bench
Parasol guide with blocking system