

UTYL 6-slat bench

Ref. PMR0543



+ Flavard & Saguez design + aesthetic + ecologic + economic

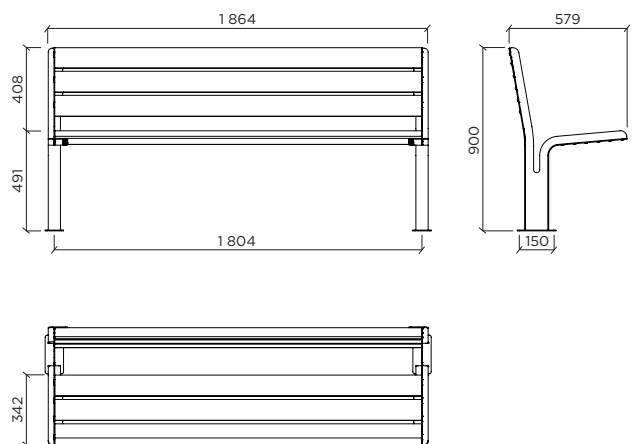


**MATERIALS**  
 Electro-galvanised steel structure, polyester powder coated finish.  
 Seat and backrest in Accoya® acetylated solid timber from sustainably managed forests. Timber finished with four coats of woodstain.  
 Must be fixed to the ground on base plate.

**FIXATION**  
 Chemical sealing.  
 Anchor rods\*: threaded rod M10 x 80.  
 Fixation holes on plate: Ø 12 mm.

**MEASUREMENTS**  
 h x L x w: 900 x 1 864 x 579 mm  
 Plate size: 190 x 90 mm  
 Weight: 33,8 kg

**STANDARD COLOUR IDENTITY**  
 Wood: Brume.  
 Metal: Black 100 sanded.



**NOTE**  
 \*Anchor rods supplied on request only.