

**UTYL** Litter bin

Ref. PMR0549



+ Flavard & Saguez design + aesthetic + ecologic + economic



**MATERIALS**

Electro-galvanised steel structure, polyester powder coated finish.  
 Beech plywood sheet, HPL veneer in front and anti-UV varnish on the sides.  
 Removable galvanised steel tank.  
 Must be fixed on the ground on base plate.



**FIXATION**

Chemical sealing.  
 Anchor rods\*: threaded rod M10 x 80.  
 Fixation holes on plate: Ø 12 mm.



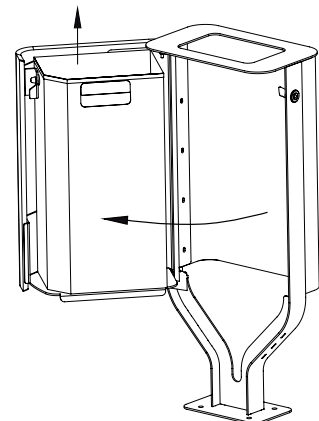
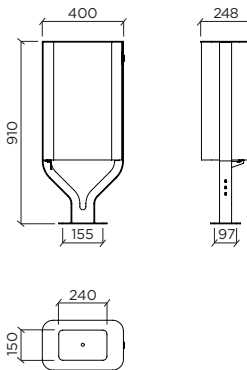
**MEASUREMENTS**

h x L x w: 910 x 400 x 248 mm  
 Base plate size: 240 x 150 mm  
 Capacity: 30 l - Weight: 23.5 kg



**STANDARD COLOUR IDENTITY**

Metal: Black 100 sanded.



**NOTE**

\*Anchor rods supplied on request only.