

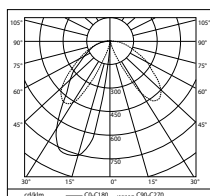
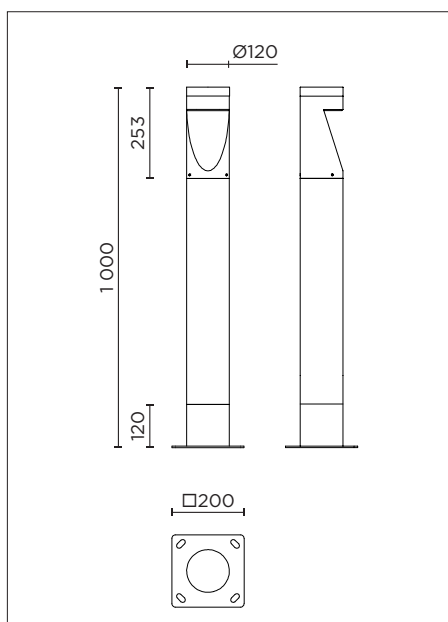
LADY LED 2

Lighting bollard / 283 lm - 10.9 W / Visual guidance



LED	Height	Diameter	Base height	Plate dimensions	Spacing dimensions	Fixation hole on plate	Anchor studs	Weight
10.9 W	1 m	120 mm	120 mm	200 x 200 mm	150 x 150 mm	14 x 28 mm	4 HA20/M12 - 100 mm	7 kg

Finished ground level: 70 mm.



Light distribution
10.9 W

Lady LED 2 LED light 10.9 W

LED luminaire with downward-directed light distribution. No distribution box. Connection with pre-cabling 3G1² max. - Length 1.5 m. LED power supply unit 220-240 V - 0/50-60 Hz - DC 176-264 V.

Luminaire in cast aluminium, polyester powder coated finish. Clear polycarbonate diffuser. Dust-tight and water jet protected.

Safety class I

CE Conformity mark

Protection class IP 54

Impact strength IK09

Lamp

Connected power of the luminaire: 10.9 W

Flux lumineux par luminaire : 283 lm

Colour temperature: 3 000 K

Round shaft

Cylindrical shaft in Accoya® acetylated glued laminated timber, produced with sawn planks from sustainably managed forests. Timber finished with four coats of woodstain. Cylindrical flush base in galvanized steel, polyester powder coated finish.

Benefits of Accoya® wood

Accoya® wood has a non-toxic core treatment. It is a very dimensionally stable material (equivalent to the best exotic wood). It is renewable, durable, resistant to moisture, insects, and rot.

Maintenance and lifespan

Accoya® wood offers a 25-year warranty against rot (if the wood is placed in the ground) and a 50-year warranty for above-ground wood (even if it is continuously exposed to fresh water). Very low maintenance.

Installation

Fixing with 4 stainless steel anchor studs M12 x 100.

Other type of fixing on consultation. Anchor bolts supplied on request only.

Wood material:

