

RENDEZ-VOUS

Chair

PMB03156



Materials

Electro-galvanised steel structure, polyester powder coated finish. Solid wood slats in Accoya® acetylated timber from sustainably managed forests. Timber finished with four coats of woodstain. High performance concrete seats and backrests, protected with a BF24h type stain.

Standard finish

Wood: Brume

Metal: Black 2100 sanded

Finish corresponding to the reference PMB03156.

Other colours on request.

Fixing

Fixation to the ground is recommended.

Chemical sealing.

Anchor bolts: threaded bolt M10 x 80.

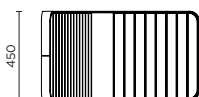
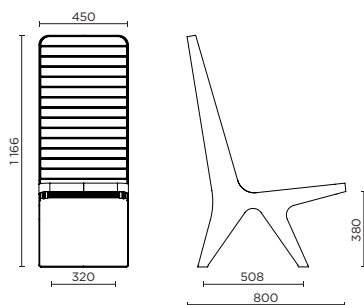
Anchor bolts supplied on request only.

Benefits, lifespan and maintenance

Modern, robust and comfortable furniture. Presence of wood, a warm and ecological material. Tested materials for exterior use, the solid modified Accoya® wood chosen for its qualities of durability and stability (class 4 use). High performance concrete filled with organic fibers. S235 quality steel with good mechanical characteristics. Low maintenance. Simple and easy wood maintenance.

Customisation

Engraving of a logo or any other graphic element on request.



Frame H x L x W

Seat height

Hole for fixing on leg

Anchor bolts

Weight

Co-design Anna Szonyi
Wood material:

PMB03156

1166 x 800 x 450 mm

380 mm

Ø 12 mm

M10 x 80

27 kg

