

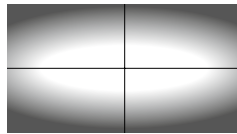
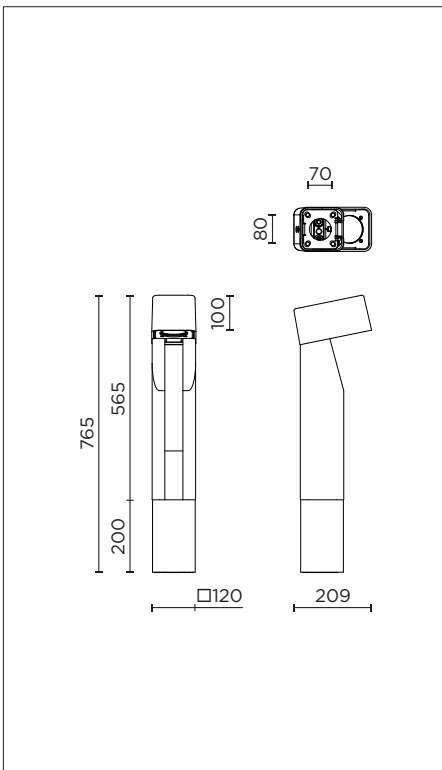
SKALA

Low lighting bollard 0.75 m / 1 150 lm - 14 W / Lighting



LED	Height	L x l	Plate dimensions	Spacing dimensions	Fixation hole on plate	Anchor studs	Weight
14 W	0.75 m	120 x 200 mm	108 x 96 mm	80 x 70 mm	12 x 18 mm	4 x M10 - 120 mm	9.7 kg

Version with 200 x 200 mm fixing plate, and fixing centre distance 150 x 150 mm upon request.



Flat beam light distribution

LED light 14 W

Recessed luminaire with flat beam light distribution.
LED power supply unit 220-240 V - 0/50-60 Hz - DC
176-224 V - DALI controllable.

Luminaire made of aluminium alloy, aluminium and stainless steel. Safety glass with optical structure.
Optical silicone lens. Dust-tight and water jet protected.
Safety class II

☞ Safety mark

CE Conformity mark

Protection class IP 65

Impact strength IK07

Lamp

Luminaire connected wattage: 14 W

Luminaire luminous flux: 1 150 lm

Luminaire luminous efficiency: 82.1 lm/W

Colour temperature*: 3 000 K (CRI > 80)

Ambient temperature: $t_{a \max} = 50^\circ\text{C}$

20-year LED module availability guarantee.

*Other colour temperatures on request.

Square shaft

Accoya® acetylated solid wood horizontal braces produced with sawn planks from sustainably managed forests. Timber finished with four coats of woodstain. Square flush base in galvanized steel and polyester powder coated finish. Bollard top in cast aluminium, polyester powder coated finish.

Benefits of Accoya® wood

Accoya® wood has a non-toxic core treatment. It is a very dimensionally stable material (equivalent to the best exotic wood). It is renewable, durable, resistant to moisture, insects, and rot.

Maintenance and lifespan

Accoya® wood offers a 25-year warranty against rot (if the wood is placed in the ground) and a 50-year warranty for above-ground wood (even if it is continuously exposed to fresh water). Very low maintenance.

Power supply

The power supply to the bollard is done via a connection box located at the base.

Installation

Fixing with 4 stainless steel dowels anchor studs M10 x 120, supplied only on request. Other type of fixing on consultation.

Wood material:



Design
by
AUBRILAM.

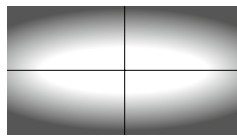
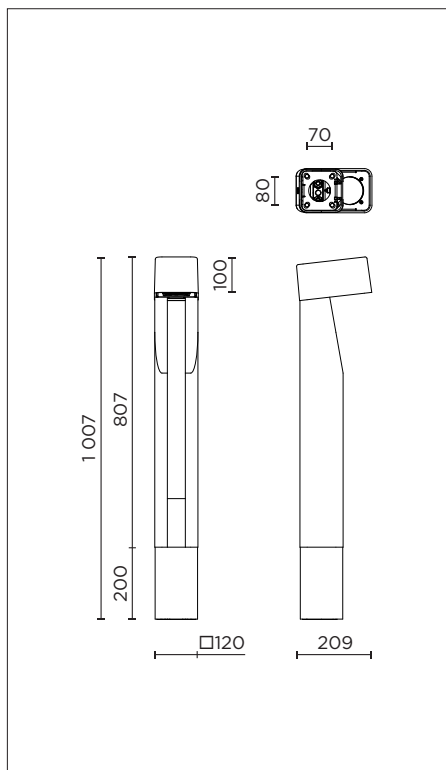
SKALA

High lighting bollard 1 m / 1 150 lm - 14 W / Lighting



LED	Height	L x l	Plate dimensions	Spacing dimensions	Fixation hole on plate	Anchor studs	Weight
14 W	1 m	120 x 200 mm	108 x 96 mm	80 x 70 mm	12 x 18 mm	4 x M10 - 120 mm	10.9 kg

Version with 200 x 200 mm fixing plate, and fixing centre distance 150 x 150 mm upon request.



Flat beam light distribution

LED light 14 W

Recessed luminaire with flat beam light distribution.
LED power supply unit 220-240 V - 0/50-60 Hz - DC
176-224 V - DALI controllable.

Luminaire made of aluminium alloy, aluminium and stainless steel. Safety glass with optical structure.
Optical silicone lens. Dust-tight and water jet protected.
Safety class II

☞ Safety mark

CE Conformity mark

Protection class IP 65

Impact strength IK07

Lamp

Luminaire connected wattage: 14 W

Luminaire luminous flux: 1 150 lm

Luminaire luminous efficiency: 82.1 lm/W

Colour temperature*: 3 000 K (CRI > 80)

Ambient temperature: $t_{a \max} = 50^\circ\text{C}$

20-year LED module availability guarantee.

*Other colour temperatures on request.

Square shaft

Accoya® acetylated solid wood horizontal braces produced with sawn planks from sustainably managed forests. Timber finished with four coats of woodstain. Square flush base in galvanized steel and polyester powder coated finish. Bollard top in cast aluminium, polyester powder coated finish.

Benefits of Accoya® wood

Accoya® wood has a non-toxic core treatment. It is a very dimensionally stable material (equivalent to the best exotic wood). It is renewable, durable, resistant to moisture, insects, and rot.

Maintenance and lifespan

Accoya® wood offers a 25-year warranty against rot (if the wood is placed in the ground) and a 50-year warranty for above-ground wood (even if it is continuously exposed to fresh water). Very low maintenance.

Power supply

The power supply to the bollard is done via a connection box located at the base.

Installation

Fixing with 4 stainless steel dowels anchor studs M10 x 120, supplied only on request. Other type of fixing on consultation.

Wood material:



Design
by
AUBRILAM.