

UTYL

3-seat bench with 6 slats

PMB03254



Materials

Electro-galvanized steel frame, finished in powder coated polyester. Seat made of solid acetylated Accoya® wood made from sawn timber from sustainably managed forests. Finished with four coats of wood stain.

Standard finish

Wood: Brume

Metal: Black 2100 sanded

Finish corresponding to the reference PMB03254.

Other colours on request.

Fixing

Must be fixed to the ground on plate. Chemical sealing.

Anchor bolts: threaded bolt M10 x 80.

Anchor bolts supplied on request only.

Benefits, lifespan and maintenance

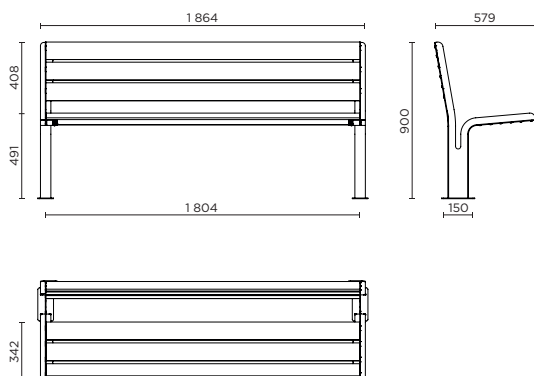
Carefully designed furniture, created by the designer Xavier Flavard. The use of wood, a warm and ecological material. Tested materials for exterior use, the solid modified Accoya® wood is chosen for its qualities of durability and stability (class 4 use). S235 quality steel with good mechanical properties. Easy-to-assemble furniture. Low maintenance. Simple and easy maintenance of the wood.

Accessorising

Attachment of one or more armrests, on request.

Customisation

Engraving of a logo or any other graphic element on request.



	Frame H x L x W	Seat height	Plate dimensions	Hole for fixing on plate	Anchor bolts	Weight	Flavard & Saguez design Wood material:
PMB03254	900 x 1 864 x 579 mm	491 mm	190 x 90 mm	∅ 12 mm	M10 x 80	33.8 kg	