

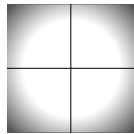
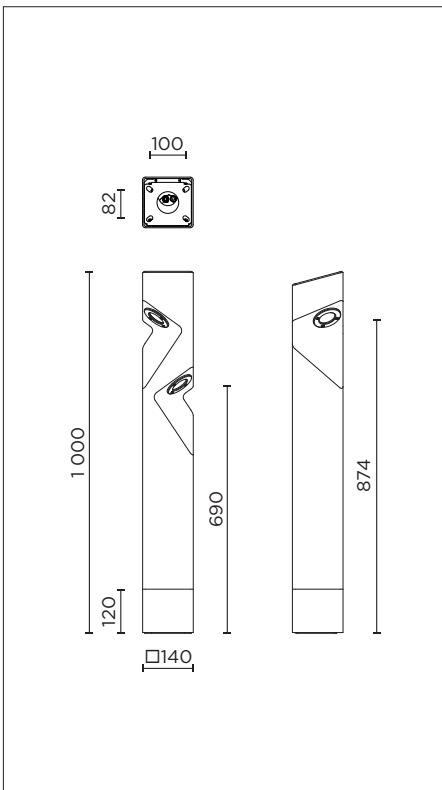
## NOTCHE 1

Lighting bollard / 648 lm - 9 W / Lighting



LED	Height	L x l	Base height	Base plate dimensions	Spacing dimensions	Fixation hole on plate	Anchor studs	Weight
9 W	1 m	140 x 140 mm	120 mm	130 x 125 mm	100 x 100 mm	12 x 18 mm	4 x M10 - 120 mm	13 kg

Version with 230 x 230 mm fixing plate, and fixing centre distance 180 x 180 mm upon request.



Broad light distribution

### Notche 1

#### 2 x 4.5 W LED lights

Double recessed luminaire with broad spread light distribution. LED power supply unit 220-240 V - 0/50-60 Hz - DC 170-280 V.

Luminaire made of aluminium alloy, aluminium and stainless steel. Clear safety glass. Silicone gasket. Dust-tight and water jet protected.

Safety class II

Safety mark

Conformity mark

Protection class IP 65

Impact strength IK10

### Lamp

#### Luminaire connected wattage: 4.5 W

Luminaire luminous flux: 324 lm

Luminaire luminous efficiency: 72 lm/W

Colour temperature\*: 3 000 K (CRI > 80)

Ambient temperature:  $t_{a,max} = 55^{\circ}\text{C}$

20-year LED module availability guarantee.

\*Other colour temperatures on request.

### Luminaire colour

Stainless steel

Alternative finishes and salt air protection on request.

### Square shaft

Accoya® acetylated solid wood square shaft made from sawn timber from sustainably managed forests. Timber finished with four coats of woodstain. Flush square base in galvanized steel and polyester powder coated finish.

Safety class II

Protection class IP 55

### Benefits of Accoya® wood

Accoya® wood has a non-toxic core treatment. It is a very dimensionally stable material (equivalent to the best exotic wood). It is renewable, durable, resistant to moisture, insects, and rot.

### Maintenance and lifespan

Accoya® wood offers a 25-year warranty against rot (if the wood is placed in the ground) and a 50-year warranty for above-ground wood (even if it is continuously exposed to fresh water). Very low maintenance.

### Power supply

The terminal is powered via two connection boxes located at the base.

### Installation

Fixing with 4 stainless steel anchor studs M10 x 120, supplied only on request. Other type of fixing on consultation.

Wood material:



Design  
by  
AUBRILAM.